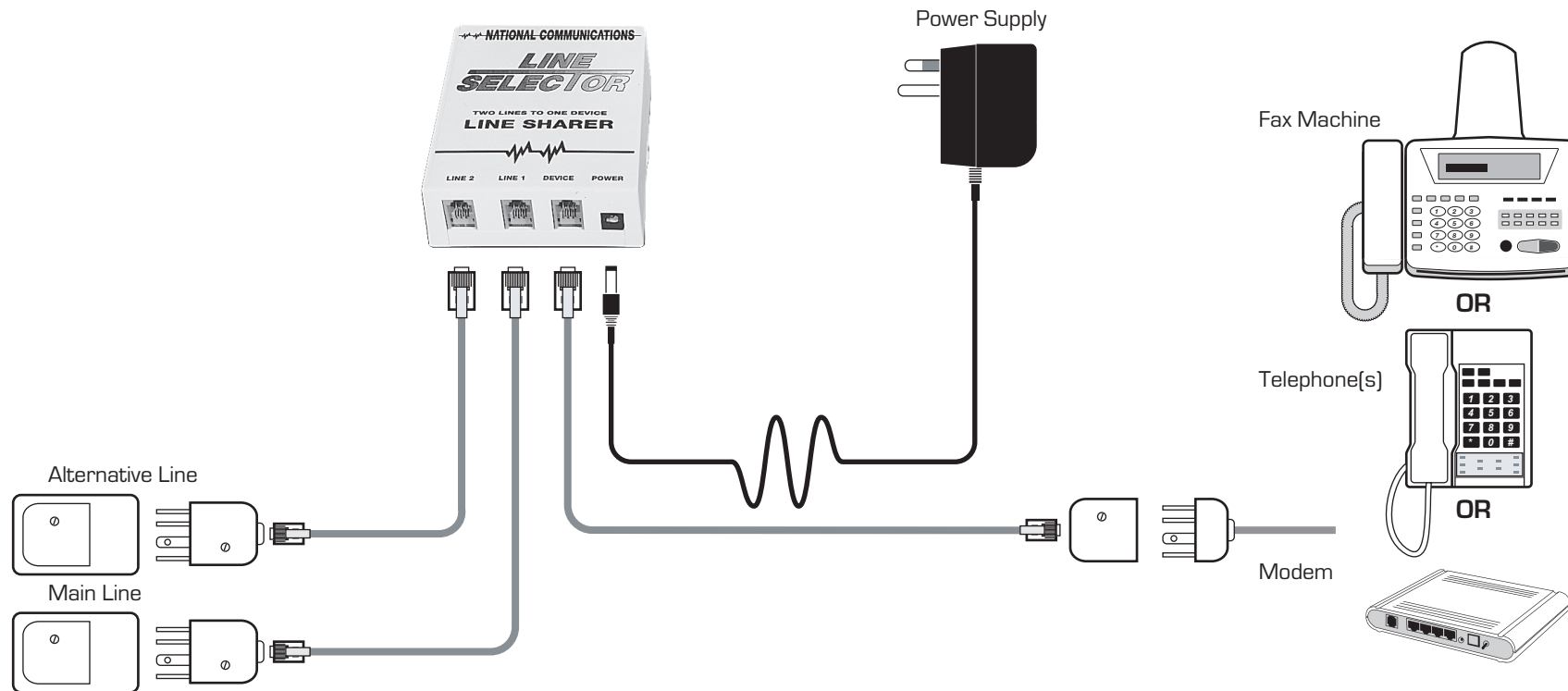


LINE SELECTOR

INSTALLATION DIAGRAM

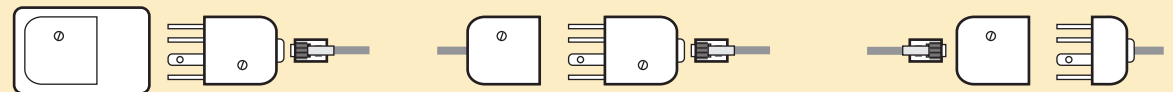
LINE SELECTOR



Please Note :

If ADSL is used on either line, it is ESSENTIAL that a high quality 'central' type ADSL filter is fitted BEFORE the LINE INPUT of LINE SELECTOR. No other ADSL filters should be used on the same line, as they will cause interference to the LINE SELECTOR or ADSL service. A suitable filter is available from National Communications at a cost of \$35.00 incl GST.

If a Dial Out ALARM SECURITY SYSTEM is used on either line, it is ESSENTIAL that it is fitted BEFORE the LINE INPUT of LINE SELECTOR. If ADSL is also to be used on either line, the ALARM SYSTEM must be installed AFTER the 'central' type ADSL filter.



Please note: Adaptors may be required to adapt to or from the RJ 'Modular' format cables, that have been supplied with this product.